



SPECIALTY TOP CO.

INSTALLATION INSTRUCTIONS

BRONCO ZIPPER FASTTRAC TOP

PART #331-310

BRONCO 1966-1977

Thank you for purchasing Specialty's Convertible Top for your Bronco. It has been designed for great fit and long wear. Please read and follow, precisely, all installation instructions provided when installing top. Failure to do so may result in a poor fitting top and could place occupants in a potentially hazardous situation.

TOOLS REQUIRED:

3/8" WRENCH	7/16" WRENCH
1/2" WRENCH	#2 PHILLIPS SCREWDRIVER
1/8" DRILL BIT	9/64" DRILL BIT
5/32" DRILL BIT	3/8" DRILL BIT
ELECTRIC DRILL	8' TAPE MEASURE

Windshield Adjustment. If your windshield frame is improperly adjusted, the top will not fit or function properly. Measure from the inside edge of windshield frame to the inside edge of tailgate as shown in figure 1. For a proper fit this measurement should be 83 3/4" to 84". If it measures slightly more than 84" the tension from the top may pull it into position. If it measures less than 83 3/4" you will need to loosen the hand bolts on both sides of windshield frame and place shims under windshield frame and retighten bolts.

INSTALLATION TIPS

Before you begin installing this top, here are a few tips to make installation easier.

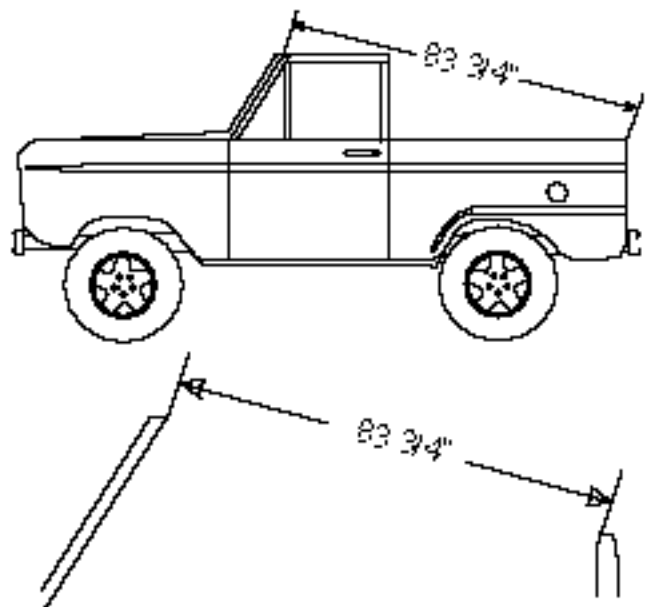
This top should be installed where the temperature is above 72 degrees Fahrenheit. Below this temperature, the top may contract making it difficult to install.

It is normal for a top to contract and wrinkle when stored in the shipping carton. The top will relax and wrinkles will disappear within a few days of installation as fabric adjusts to shape of mounting hardware.

INSTALLATION PROCEDURES:

On page 5 of this instruction manual there is an assembly drawing. Please refer to it for identification of parts and assembly assistance. Also refer to page 7 to assure that all parts are include in your kit.

Figure 1



Step 5. Riser. Position riser (Item 16), on top of windshield frame, centering it from side to side. Place 5/16-18 x 3/4" hex bolts (Item 2) through 5/16" flat washer (Item 3), the riser windshield frame and 5/16" star washer (Item 17). Secure with 5/16-18 hex nut (Item 4). On both ends of the riser you will need to mount horizontal rod brackets (Item 18). There is one left and one right The large hole in the bracket should face the rear of and to the outside of the vehicle as shown in figure 4. These brackets sit on top of riser and are attached with the same bolts that secure the riser to the windshield frame. See figure 4.

Step 7. Tailgate Channel. Measure 3 1/2" from edge of tailgate and 1/2" down from top of tailgate on inside of tailgate on both ends of tailgate. Mark for location of end holes of tailgate channel (Item 28). Drill 1/8" holes on these marks. Mount tailgate channel to tailgate using these two holes and #10 x 1/2" sheet metal screws (item 29). Using tailgate channel as a template, mark and drill the rest of the 1/8" holes. Secure tailgate channel to tailgate with #10 x 1/2" sheet metal screws (Item 29). See illustration G on page 5.

Step 6. Windshield Wiper Motor Bracket On certain models a windshield wiper motor bracket (Item 19) will need to be installed to lower the windshield wiper motor and keep it from protruding into the top. Remove wiper arm from motor. Remove motor from original bracket and bracket from windshield frame. Install windshield wiper motor bracket provided in the kit into original holes. Turn motor over and install into wiper motor bracket using original fasteners. Reattach wiper arm making sure that wipers are in the correct position. See figure 4.

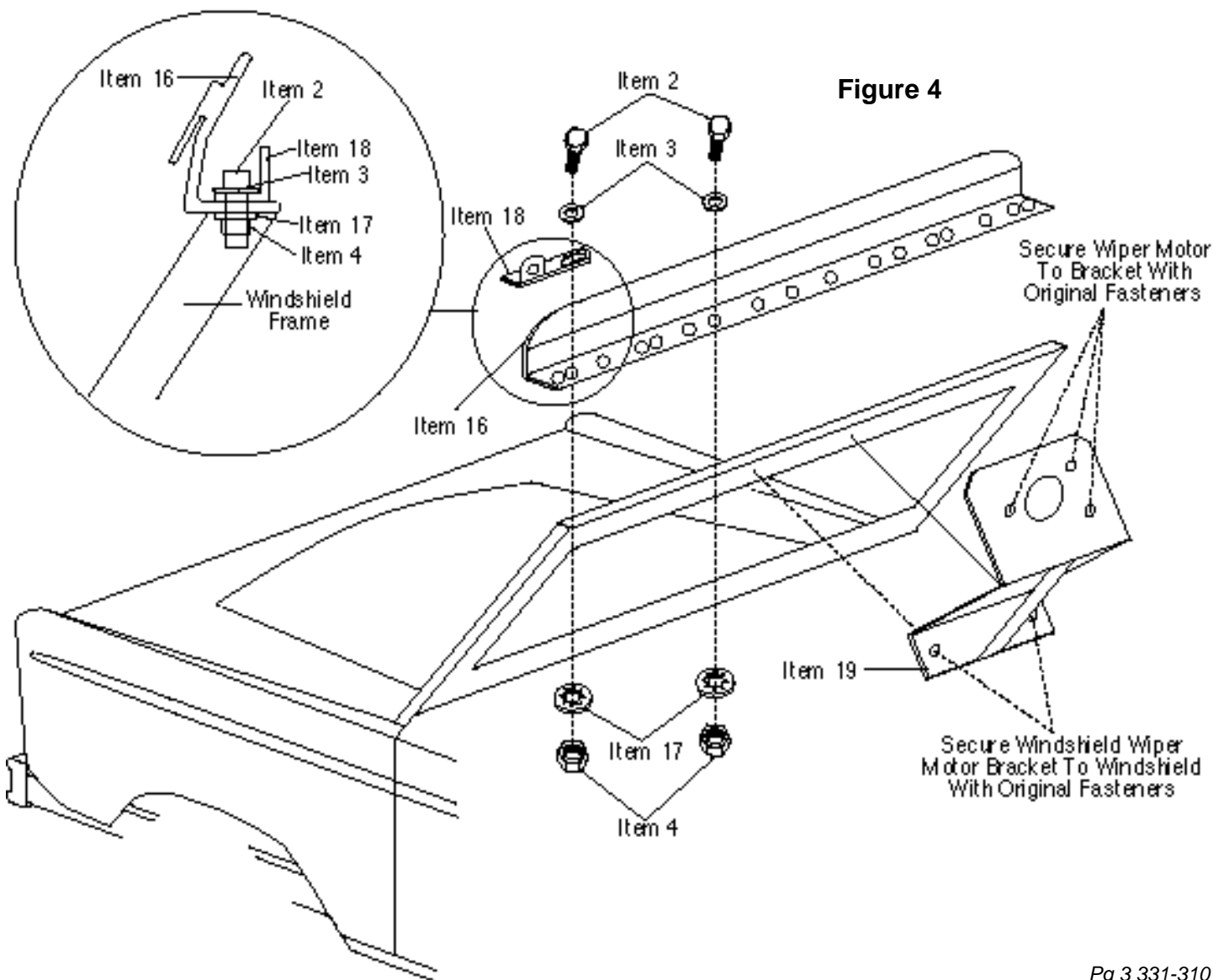
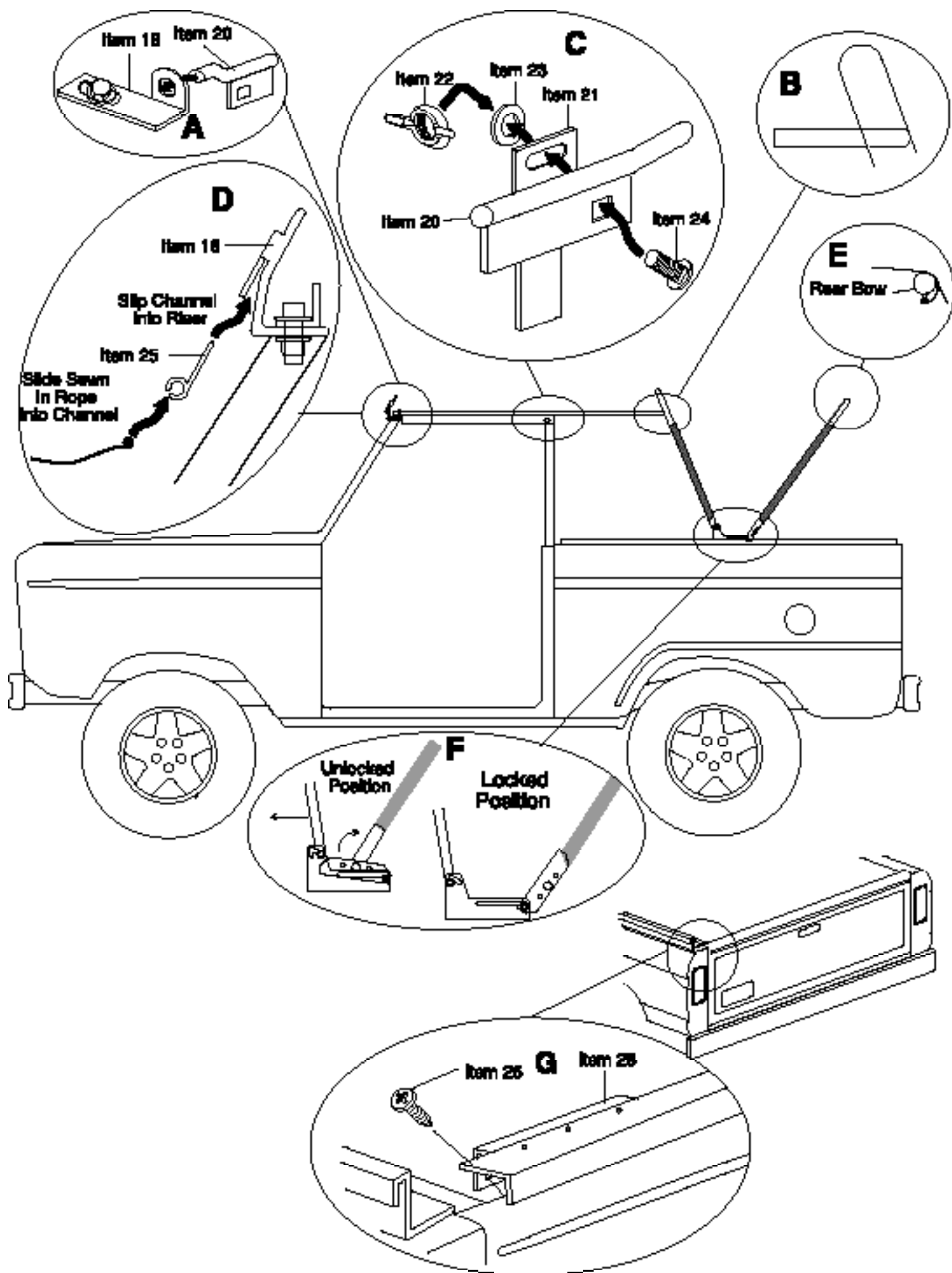


Figure 4



Parts Identification And Requirements

Item 1
Body Aluminum
1 Left (Shown), 1 Right



Item 2
5/16-18 x 3/4"
Hex Bolt
19 Required



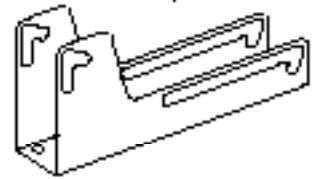
Item 3
5/16" Flat Washer
29 Required



Item 4
5/16-18 Hex Nut
19 Required



Item 5
Bow Mount
2 Required



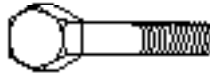
Item 6
#14 x 1/2"
Sheet Metal Screw
6 Required



Item 7
Bow Release
2 Required



Item 8
1/4-20 x 1 3/4"
Hex Bolt
4 Required



Item 9
1/4" Flat Washer
8 Required



Item 10
1/4-20 Lock Nut
6 Required



Item 11
Rear Bow Sleeve - Short
2 Required



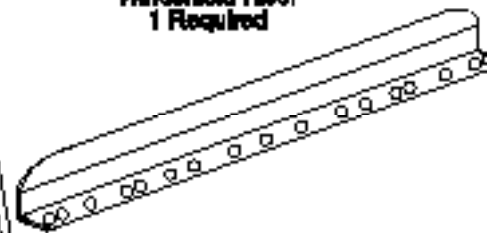
Item 13
1/4-20 x 1 1/2"
Hex Bolt
2 Required



Item 14
Front Bow Sleeve - Long
2 Required



Item 16
Windshield Floor
1 Required



Item 15
Front Bow
2 Halves

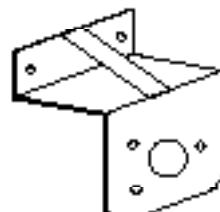
Item 17
5/16" Star Washer
9 Required



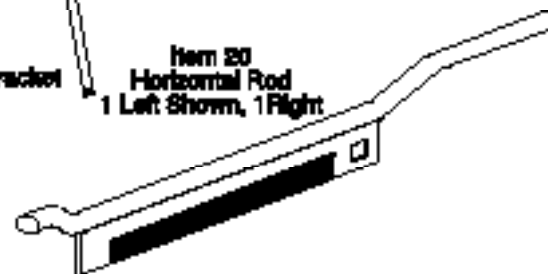
Item 18
Horizontal Rod Bracket
1 Left Shown, 1 Right



Item 19
Windshield Wiper Motor Bracket
1 Required



Item 20
Horizontal Rod
1 Left Shown, 1 Right



Item 21
Vertical Rod
1 Left Shown, 1 Right



Item 22
5/16-18 Wing Nut
2 Required
(Attached to Rods)



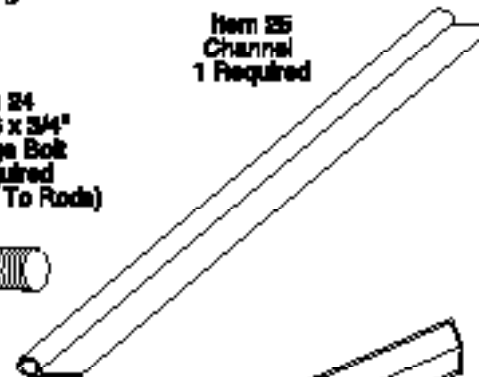
Item 23
3/16"
Flat Washer
2 Required
(Attached To Rods)



Item 24
5/16-18 x 3/4"
Carriage Bolt
2 Required
(Attached To Rods)



Item 25
Channel
1 Required



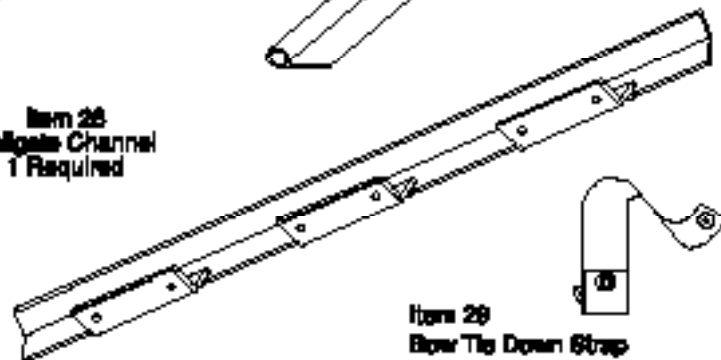
Item 26
#10 x 1/2"
Sheet Metal Screw
6 Required



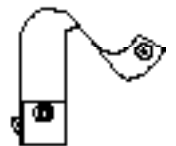
Item 27
3/8" Sheet Metal
Screw Stud
2 Required



Item 28
Tailgate Channel
1 Required



Item 29
Bow Tie Down Strap
2 Required



CARE INSTRUCTIONS

Convertible tops and accessories require special care if you want to get the maximum usage and enjoyment from them. The following recommendations, if followed carefully, can extend the life of your top or accessory.

1. Hand wash using a mild non-detergent soap such as Ivory. Use a nonabrasive cloth or sponge. Rinse thoroughly.
2. **DO NOT** wash in direct sunlight and avoid automatic car washes.
3. When your top is clean, we recommend using "303 Protectant" on both the vinyl top and windows. This product contains a sunscreen that helps protect from the sun's damaging rays. Stay away from products containing alcohol as it will cause the fabric and windows to lose their elasticity, thus reducing the life of your top or accessory. If you are unable to locate "303 Protectant", please call 1-800-223-4303 for a distributor near you.
4. Direct sunlight and heat are the biggest enemies of the windows. Park in the shade whenever possible. If you must park in the sunlight, rotate the direction that you park every few days so all windows get even exposure.
5. Our tops are designed so that you may roll up and/or store the rear curtain and side curtains. To prevent scratching of the windows, be sure that windows are completely clean and free of dust particles. Even a little dirt will badly scratch the windows. You may want to use a soft cloth when rolling up or storing your windows. Heat may build up on rolled up windows, so be sure to unroll them frequently. If you roll up the windows at the beginning of summer and leave them, they may be ruined by fall.
6. **DO NOT** open or roll up windows at temperatures below 45 degrees F. This could cause them to crack or break.
7. **NEVER** use ice scrapers or snow brushes on vinyl windows.

WARRANTY INFORMATION:

Specialty Top Co. warrants to the original purchaser of any product it manufactures, that the product will be free of defects in material or workmanship for a period of 90 days from date of purchase. Such obligations under this warranty shall be limited to the **repair or replacement**, at Specialty's discretion, of any assembly or parts which upon examination by Specialty Top Co. proves to be defective. All defective items must be returned with proof of purchase to Specialty Top Co., 200 East 64th Avenue, Denver, Colorado 80221, freight prepaid. This warranty does not cover damage resulting from abuse, misuse, alteration, accident or damage in transit. Specialty's obligations under this warranty are limited to the aforementioned repair or replacement of warranty defects for which the return authorization has been received during the warranty period, and **SPECIALTY TOP CO. SHALL NOT BE LIABLE FOR ANY INCIDENTAL OR CONSEQUENTIAL DAMAGES ARISING FROM BREACH OF THIS OR ANY IMPLIED WARRANTY.**

Some states do not allow the exclusion or limitation of incidental or consequential damages, so the above limitation or exclusion may not apply to you. This warranty gives you specific legal rights, and you may also have other rights which may vary from state to state.

If you need assistance or further information, you may contact Specialty Top Co. at 1-866-487-9944 between the hours of 8:00 AM and 5:00 PM, Monday through Friday, Mountain Standard Time.